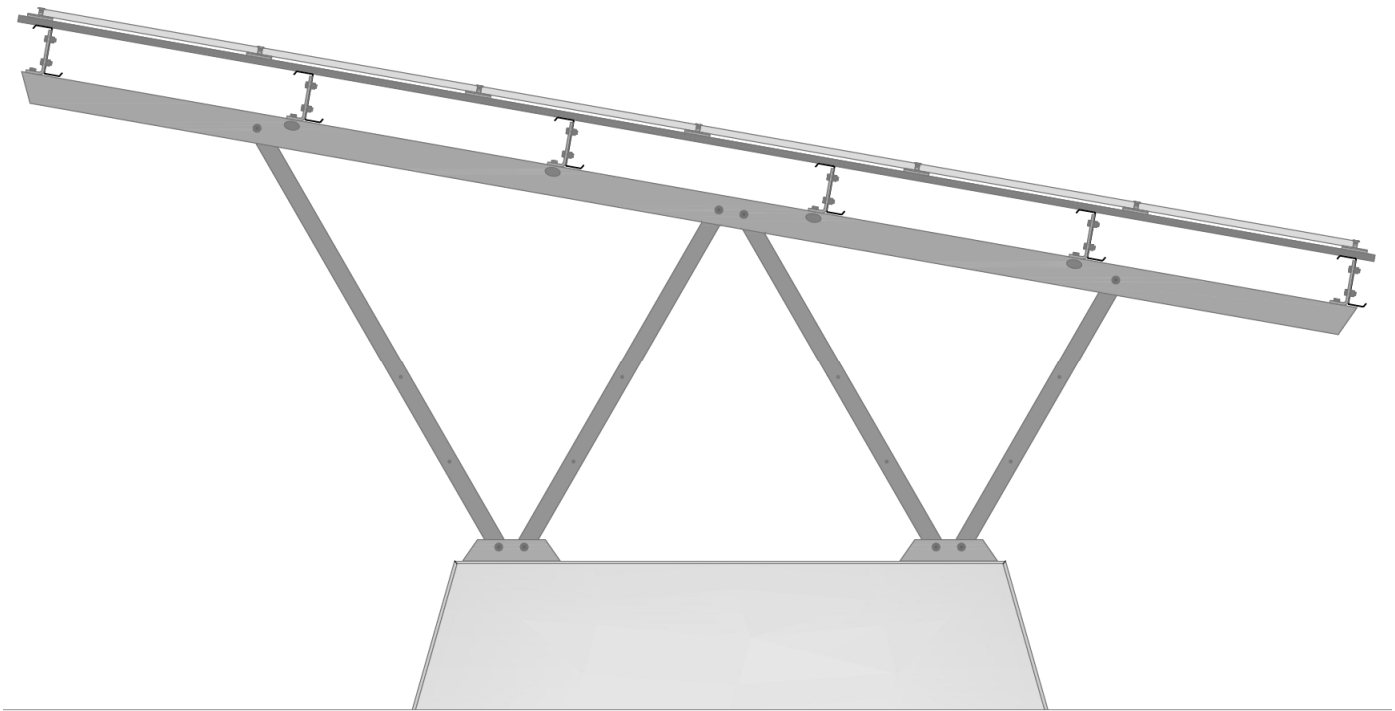


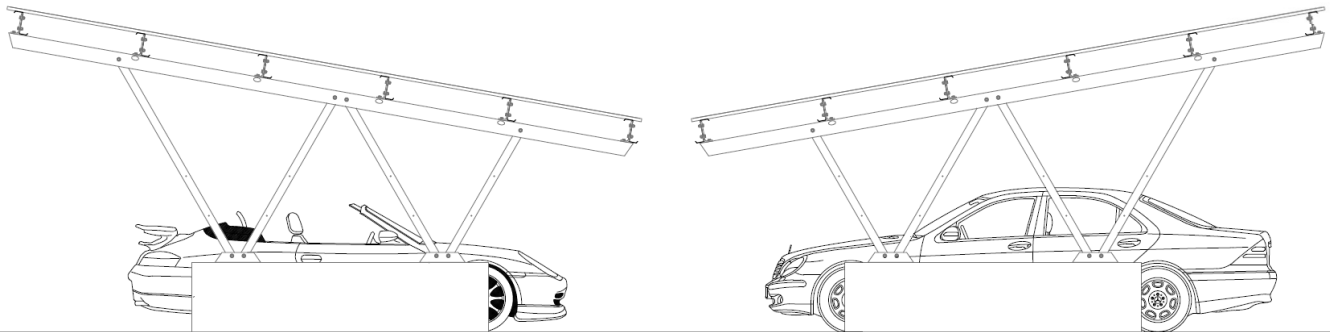
Carport HELIOS

Product data sheet

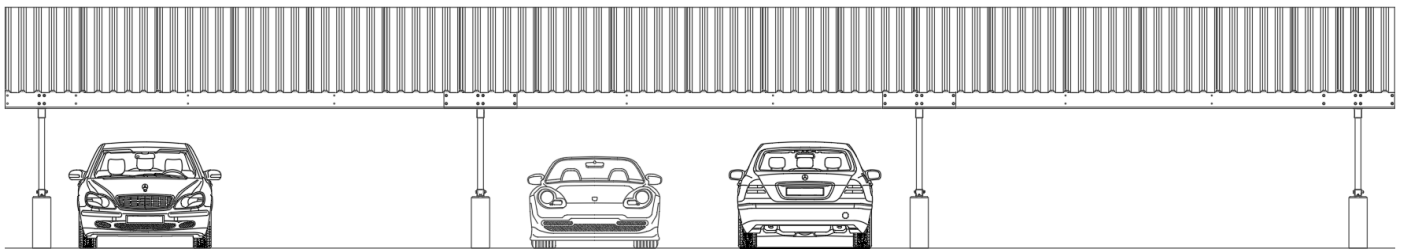


- + Available as single, double or freely scalable row carport
- + Extra large and wide parking spaces and very easy parking due to W-shaped posts
- + Quick and simple assembly
- + High-quality design for superior demands
- + Individually configurable design (f. e. colour, materials, surface, size, ...)

System design



Example: Structure as trough roof arrangement (50x50 m = 2,500 m²; built-over area approx. 1,700 m², access driving lanes with 3.85 m; 96 parking spaces, 6 x16 double carports; 360 kWp, 936 modules 1,840x1,030mm with 385 Wp each)



Example: Row carport made of 3 double carports

Technical Data

(Data in the chart refer to the standard variant, changes possible)

| | |
|------------------------------|---|
| Application | For all car park roofing - private and commercial sector. Design can be adapted to project and customer specific requirements |
| Foundation | Stripe foundation according to provided foundation- and reinforcement plan |
| Static | Load assumptions according to Eurocode 1 (DIN EN 1991-1), static calculations according to valid standards and guidelines |
| Entrance height | approx. 2,97 m / 116,93 inch |
| Clearance height at rear | approx. 1,90 m / 74,8 inch |
| Total height | approx. 3,30 m / 129,92 inch |
| Cantilever (roofed) | approx. 0,5 m / 19,69 inch |
| Foundation size | approx. 3,0 m x 0,7 m (over ground) / 188,11 x 27,56 inch |
| Roof inclination | 10° |
| Axle dimension post distance | Double Carport: 6,0 m / 236,22 inch; Single Carport 3,0 m / 188,11 inch |
| Parking space width | approx. 2,85 m / 112,20 inch |
| Park space length | approx. 6,41 m (projected area) / 252,4 inch |
| Roof length | approx. 6,50 m (Standard Module field: 6 Modules horizontal with short rails) |
| Used Materials | (Hot dip galvanised steel construction (DIN EN 10346, DIN EN 1461) Trapezoidal sheet roofing (f. e. 35/207 0,63 mm S550 GD + AZ185) with Anti-condensation fleece; Connecting elements stainless steel A2 |